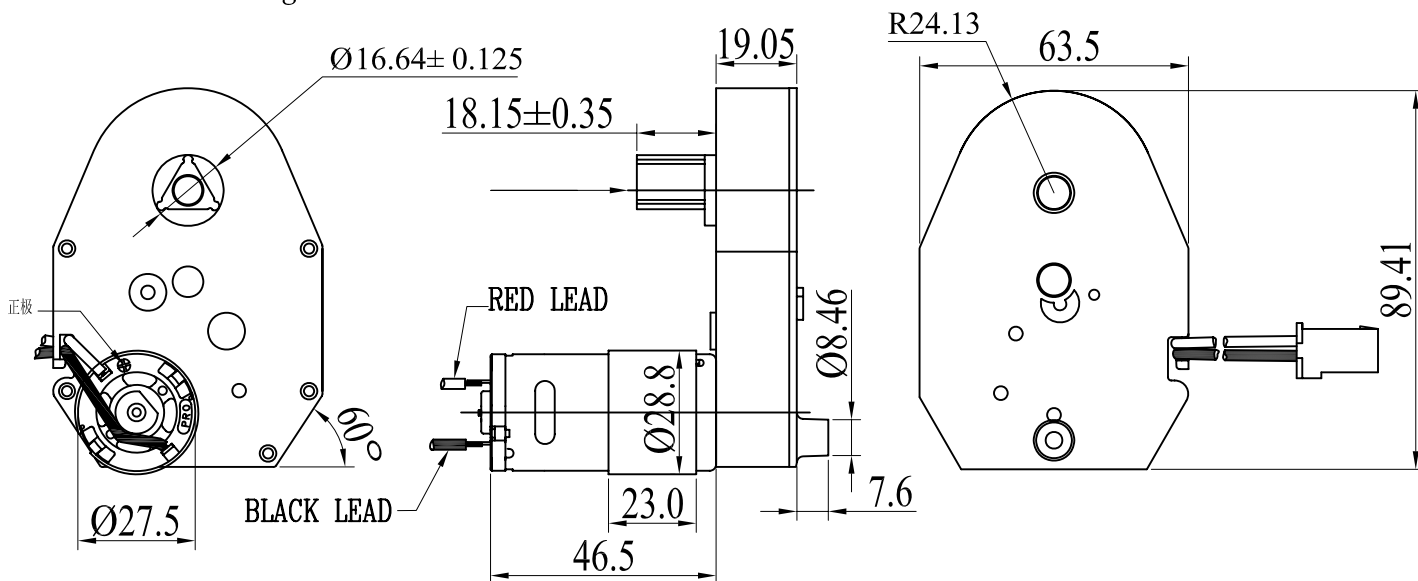


MOTOR SPECIFICATION AND PERFORMANCE CHARACTERISTICS:

MODEL: CRV-2406-2R

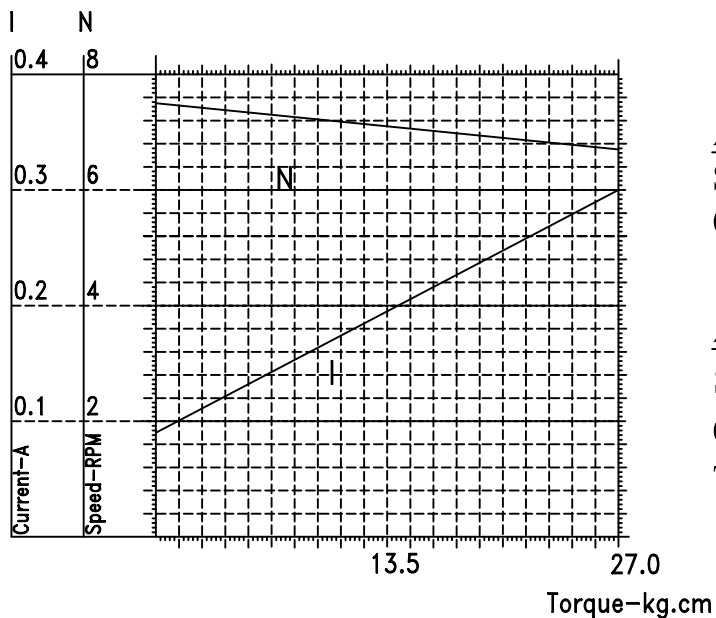
1、 Outline Drawing :



2、 Electrical Specification :

RATED VOLTAGE	AT NO LOAD			AT RATED LOAD 23.5 lb.in	
	SPEED	CURRENT	NOISE	SPEED	CURRENT
24 V DC	RPM	A	dB	RPM	A
	7.5 ± 12%	0.09 max.	/	6.7 ± 10%	0.30 max.

3、 Performance Curves:



AT NO LOAD

SPEED = 7.5 RPM
CURRENT = 0.09 A

AT RATED LOAD

SPEED = 6.7 RPM
CURRENT = 0.30 A
TORQUE = 23.5 lb.in
27.0 kg.cm